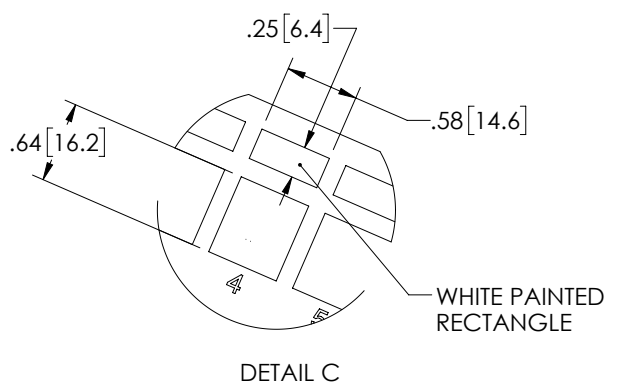
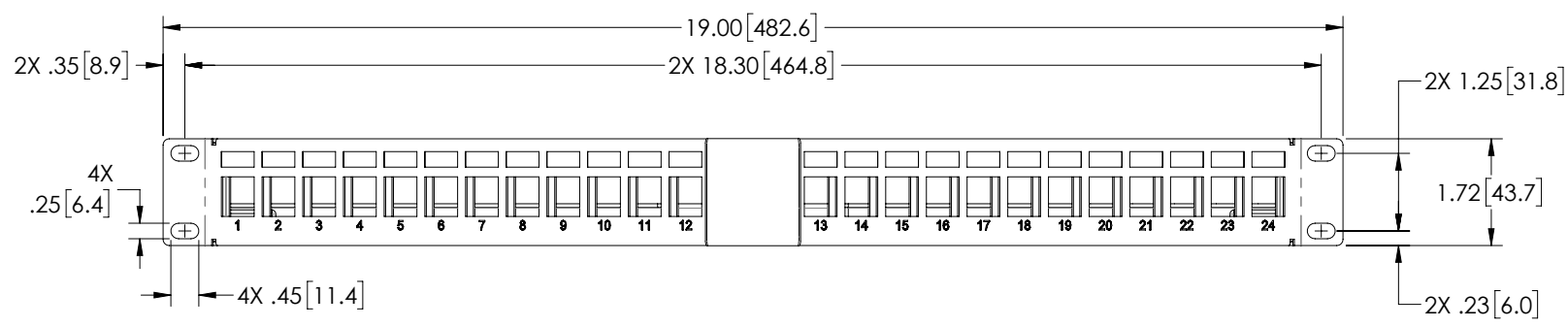
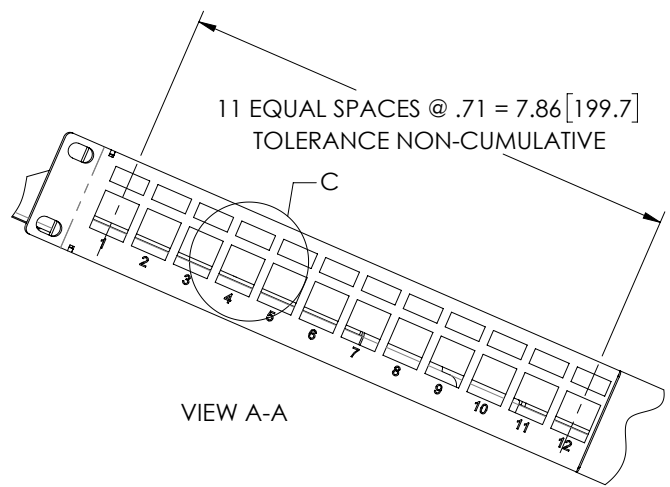
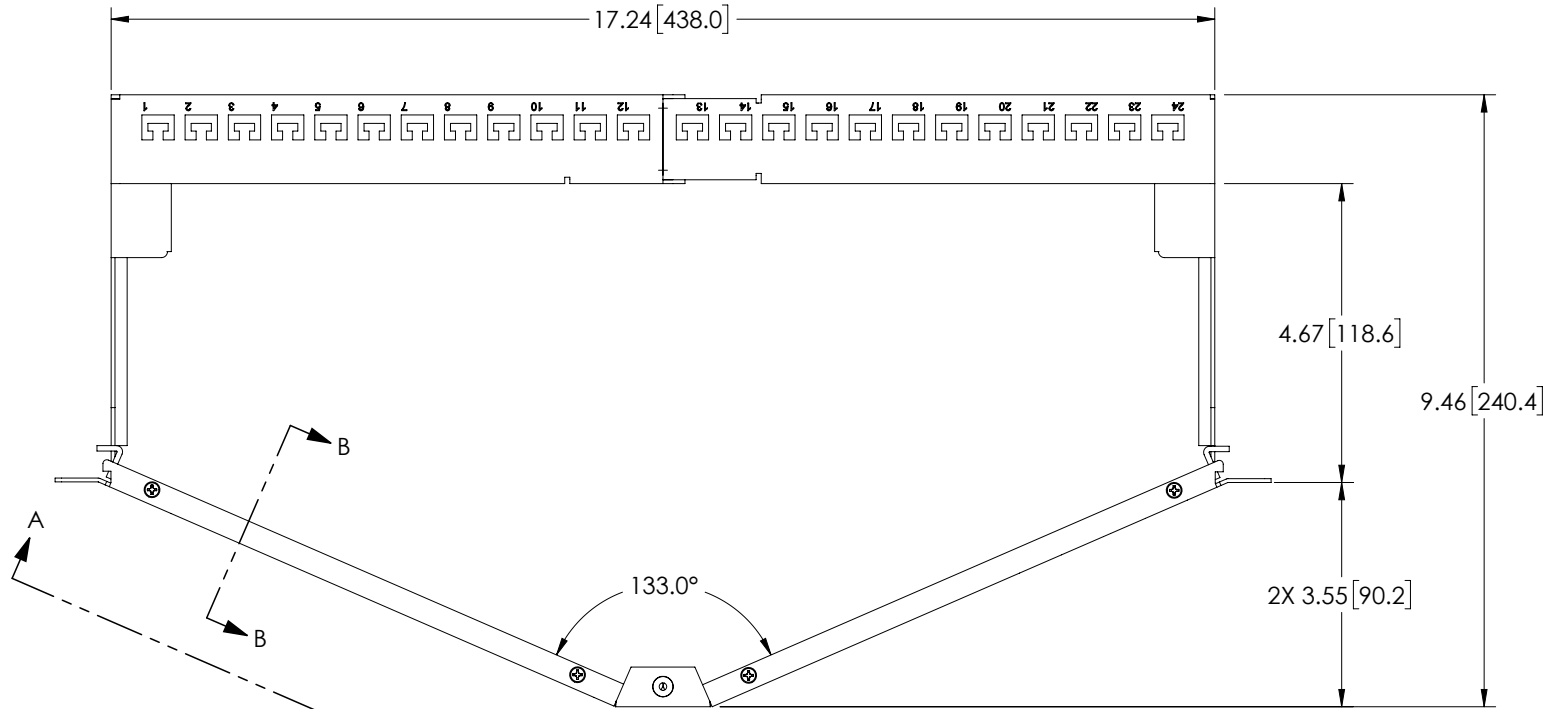
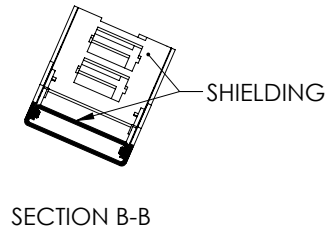
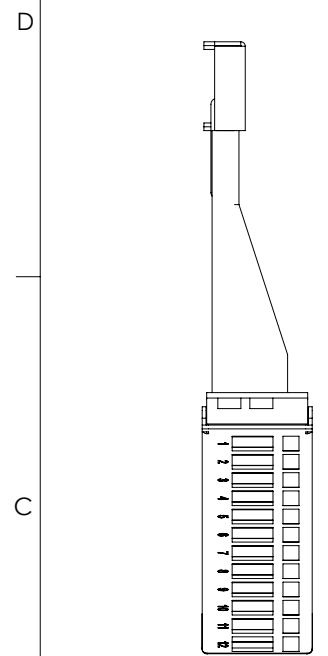


THE INFORMATION CONTAINED IN THIS DRAWING IS THE SOLE PROPERTY OF L-COM, INC. ANY REPRODUCTIONS IN PART OR WHOLE WITHOUT THE WRITTEN PERMISSION OF L-COM, INC. IS PROHIBITED.

REVISIONS			
REV	DESCRIPTION	DATE	CHANGED BY
A	REV A DRAWING RELEASED	04/19/2019	MMARTINEZ



- NOTES:
1. DIMENSIONS FOR REFERENCE ONLY.
 2. MATERIAL: .06 THICK COLD ROLLED STEEL.
 3. PANEL FINISH: FLAT BLACK POWDER COAT.
 4. SILKSCREEN COLOR: WHITE.
 5. PANEL COMPONENT SHALL BE PACKAGED IN ACCORDANCE WITH L-COM SPECIFICATION PS-0014.

UNLESS OTHERWISE SPECIFIED, DIMENSIONS ARE IN INCHES [mm]
 OVERALL CABLE LENGTH TOLERANCE:
 ≤12 [305] = +1 [25] / -0
 >12 [305] ≤60 [1524] = +2 [51] / -0
 >60 [1524] ≤120 [3048] = +4 [102] / -0
 >120 [3048] ≤300 [7620] = +6 [152] / -0
 >300 [7620] = +5% / -0%
 ALL OTHER DIMENSIONAL TOLERANCES:
 .X = ±.2 [5.08]
 .XX = ±.02 [5.1]
 .XXX = ±.005 [1.3]

APPROVALS	DATE
DRAWN BY DZINN	04/01/2019
CHECKED BY DFRISIELLO	04/01/2019
APPROVED BY MMARTINEZ	04/01/2019

L-com Global Connectivity
 45 BEECHWOOD DRIVE
 NORTH ANDOVER, MA
 01845

CATEGORY		RACK PANELS	
PRODUCT DESCRIPTION			
PANEL, 1U V-RACK w/24 KEYSTONE SLOTS+CM			
SIZE	FSCM NO.	DWG. NO.	REV.
B	43321	PR175V24KS-CM	A
SCALE: 1:3		CAD FILE: PR175V24KS-CM.SLDDRW	SHEET 1 OF 1

