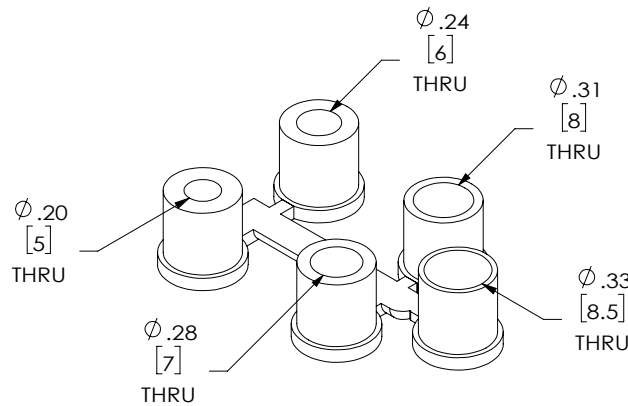
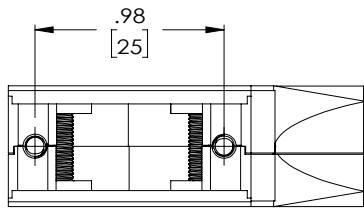
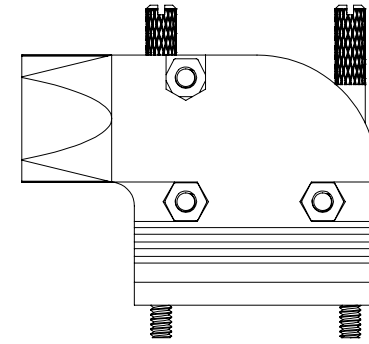
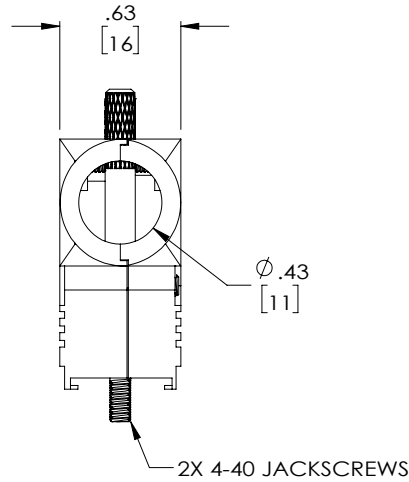
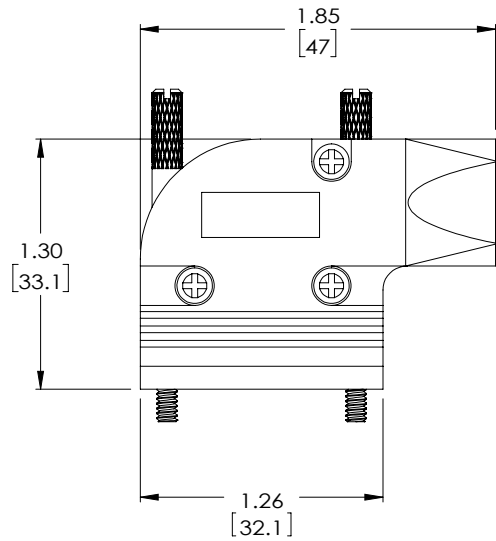
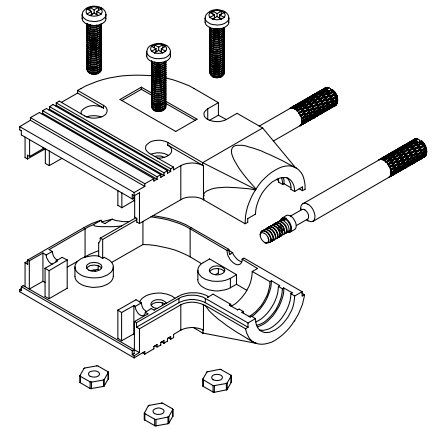


THE INFORMATION CONTAINED IN THIS DRAWING IS THE SOLE PROPERTY OF L-COM, INC. ANY REPRODUCTION IN PART OR WHOLE WITHOUT THE WRITTEN PERMISSION OF L-COM, INC. IS PROHIBITED.

REVISION					
ZONE	REV	DESCRIPTION	DATE	CHANGED BY	APPROVED
	A	INITIAL RELEASE	09/11/2023	SLI	WLI



GROMMETS AS SUPPLIED



NOTES:

MATERIAL:


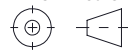
HOOD: ZINC ALLOY
 JACKSCREWS: STEEL
 ASSEMBLY HARDWARE: STEEL
 STRAIN RELIEF GROMMETS: TPE (BLACK)

FINISH:

HOOD: NICKEL PLATED, MATTE FINISH ON MAJOR SURFACES
 JACKSCREWS: NICKEL PLATED
 ASSEMBLY SCREWS: NICKEL PLATED

MISCELLANEOUS:

INTENDED FOR USE WITH 9-PIN STANDARD AND 15-PIN HIGH DENSITY D-SUBMINIATURE CONNECTORS.
 HOOD KIT SHALL BE INDIVIDUALLY PACKAGED IN ACCORDANCE WITH L-COM SPECIFICATION PS-0031.

UNLESS OTHERWISE SPECIFIED, DIMENSIONS ARE IN INCHES [mm] OVERALL CABLE LENGTH TOLERANCE: ≤12 [305] = +1 [25] / -0 >12 [305] ≤60 [1524] = +2 [51] / -0 >60 [1524] ≤120 [3048] = +4 [102] / -0 >120 [3048] ≤300 [7620] = +6 [152] / -0 >300 [7620] = +5% / -0 ALL OTHER DIMENSIONAL TOLERANCES: .X = ± .2 [5] FRACTIONS ± 1/32 .XX = ± .02 [5] ANGLES ± 1° .XXX = ± .005 [13]	APPROVALS	DATE	 50 High Street, West Mill, North Andover, MA 01845 USA. Phone: 1.800.341.5266 1.978.682.6936
	DRAWN BY SLI	07/17/2023	
	CHECKED BY WLI	07/17/2023	
	APPROVED BY WLI	07/17/2023	
THIRD-ANGLE PROJECTION	CONFIGURATION DETAILS OF UNDIMENSIONED FEATURES MAY VARY	CATEGORY D-SUBMINIATURE	
	COLOR VARIATIONS MAY OCCUR	PRODUCT DESCRIPTION HOOD DB9 METAL RIGHT ANGLE	SIZE A
REF		CAGE CODE 43321	ITEM NO. HKDB9AMRA
		SCALE: NONE	CAD FILE: HKDB9AMRA.SLDDRW
			SHEET 1 OF 1